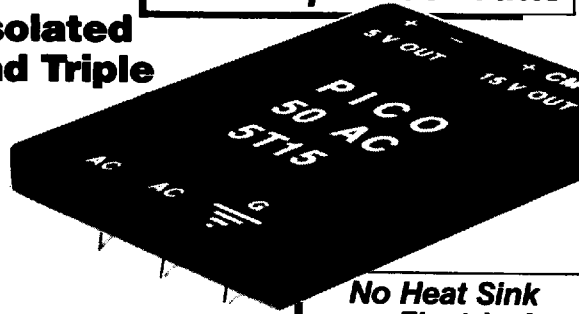


SERIES 50AC

**Hi Reliability
Hi Efficiency/Isolated
Single, Dual and Triple
Outputs
Regulated
55 Watt AC-DC
Switchers**

**Lowest Profile!
0.5" ht. up to 55 Watts**



**No Heat Sink
or Electrical
Derating Required**

55 Watt AC-DC Switchers

FEATURES:

- Low Profile 0.500"
- Low weight
- Encapsulated semiconductors, conservatively rated for maximum reliability.
- Excellent voltage regulation
- Excellent load regulation
- Up to 55 watts output power at 70°C ambient
- Low output ripple
- Isolation 1200V RMS
- Single, Dual and Triple Outputs
- No heat sink required
- Miniature size
- No output capacitor required
- Shielding

T-57-05

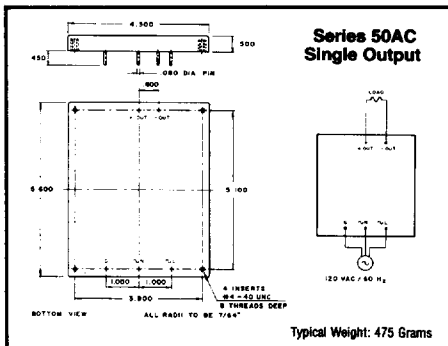
This series of low profile, 45-55 Watt AC to DC switchers come in 11 different models. These units offer high efficiency and precise regulation throughout the operating temperature range of -25°C to +70°C ambient, with no heat sink or electrical derating required. The 50AC series keeps a maximum 0.500" height while still offering you 1200 volts RMS isolation in a rugged encapsulated case. The convenience of PC mounting and the availability of three outputs should aid your circuit design.

TYPICAL CHARACTERISTICS:

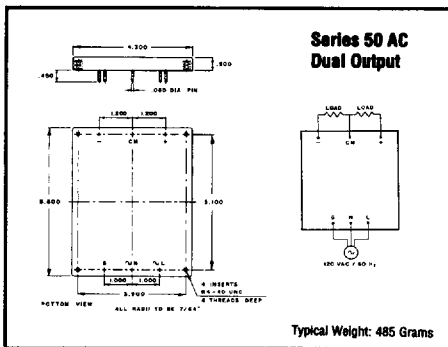
Test conditions: 25°C ambient
Input voltage: 90-130VAC (47-440Hz)
Line/load regulation: See specifications below
Converter frequency: 40-60 KHz typ.
Operating temperature: -25°C to +70°C ambient
Output voltage temperature coefficient: 0.02%/C
Storage temperature: -55°C to +125°C
Isolation: 1200V RMS
Short circuit protection: Continuous

OPTIONS AVAILABLE PER MIL-STD-883

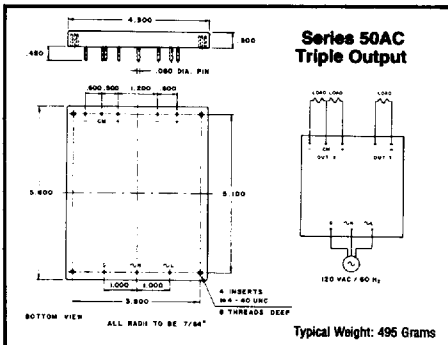
- Expanded operating temp (-55°C to +85°C)
- Stabilization Bake (125°C ambient)
- Temperature Cycle (-55°C to +125°C)
- Hi Temp, burn in



Typical Weight: 475 Grams



Typical Weight: 485 Grams



Typical Weight: 496 Grams

**SERIES 50AC SINGLE OUTPUT
INPUT VOLTAGE 90-130VAC (47-440Hz)
(OPTIONAL 170-240VAC, 47-400Hz**)**

PICO PART NUMBER	OUTPUT VOLTAGE VDC	MAX. LOAD CURRENT mA	MAX. OUTPUT POWER (watts)	EFF. @ FULL LOAD TYPICAL (%)*	OUT VOLT RIPPLE @ FULL LD. 1-1 MHz BW mv p-p	OUT VOLT TOLERANCE (±%)*	V LD. REG. 10%-100% LOAD † (±%)*	LINE REGULATION (±%)*	PRICE 1-24
50AC5S	5	9000	45	75	50	1.0	0.75	0.2	359.00
50AC12S	12	4583	55	80	50	0.5	0.30	0.2	359.00
50AC15S	15	3667	55	83	50	0.5	0.30	0.2	359.00
50AC24S	24	2292	55	86	50	0.5	0.30	0.2	359.00

*Readings taken at 115VAC-60Hz
† = 10% minimum load required

**All units available with 170-240VAC Input. Add H, prefix to part number-\$40 per unit cost added.

**SERIES 50AC DUAL OUTPUT
INPUT VOLTAGE 90-130VAC (47-440Hz)
(OPTIONAL 170-240VAC, 47-400Hz**)**

PICO PART NUMBER	OUTPUT VOLTAGE VDC	MAX. LOAD CURRENT mA PER OUTPUT	MAX. OUTPUT POWER (watts) PER OUTPUT	EFF. @ FULL LOAD TYPICAL (%)*	OUT VOLT RIPPLE @ FULL LD. 1-1 MHz BW mv p-p	OUT VOLT TOLERANCE (±%)*	V LD. REG. 10%-100% LOAD † (±%)*	LINE REGULATION (±%)*	PRICE 1-24
50AC5D	±5	4500	22.5	75	50	1.0	0.75	0.2	377.00
50AC12D	±12	2291	27.5	80	50	0.5	0.30	0.2	377.00
50AC15D	±15	1833	27.5	83	50	0.5	0.30	0.2	377.00

*Readings taken at 115VAC-60Hz
† = 10% minimum load required

**All units available with 170-240VAC Input. Add H, prefix to part number-\$40 per unit cost added.

**SERIES 50AC TRIPLE OUTPUT
INPUT VOLTAGE 90-130VAC (47-440Hz)
(OPTIONAL 170-240VAC, 47-400Hz**)**

PICO PART NUMBER	MAIN OUTPUT VOLTAGE					AUXILIARY OUTPUT VOLTAGE					EFF. @ FULL LOAD TYPICAL (%)	PRICE 1-24
	OUTPUT VOLTAGE DC VDC	MAX LOAD CURRENT mA OUTPUT	MAX OUTPUT POWER (watts) OUTPUT	V LD. REG. 25-100% LOAD (±%)*	OUT VOLT RIPPLE @ FULL LD. 1-1 MHz BW mv p-p*	OUTPUT VOLTAGE DC PER OUTPUT	MAX. LOAD CURRENT mA PER OUTPUT	MAX. OUTPUT POWER (watts) PER OUTPUT	VOLT. LOAD REG. 25-100% LOAD † (±%)*	OUTPUT RIPPLE @ FULL LD. 1-1 MHz BW mv p-p*		
50ACST12	5	8000	40	0.75	50	±12	208	2.5	1.0	50	75	395.00
50ACST15	5	8000	40	0.75	50	±15	167	2.5	1.0	50	75	395.00
50AC12T5	12	3750	45	0.25	50	±5	500	2.5	1.0	50	77	395.00
50AC15T5	15	3000	45	0.25	50	±5	500	2.5	1.0	50	79	395.00

Common Characteristics
Main Output Voltage Tolerance ±0.5%*
Main Line Regulation ±0.2%

Common Characteristics
Auxiliary Output Voltage Tolerance ±0.5%*
Auxiliary Line Regulation ±0.2%

*Measurements taken at 115VAC-60Hz

† = 10% minimum load required

**All units available with 170-240VAC Input. Add H, prefix to part number-\$40 per unit cost added.

**Delivery—
stock to one week**

For immediate engineering assistance or to place an order—Call Toll Free 800-431-1064

PICO Electronics, Inc.

453 N. MacQuesten Pkwy., Mt. Vernon, N.Y. 10552 • 914-699-5514 • FAX 914-699-5565